



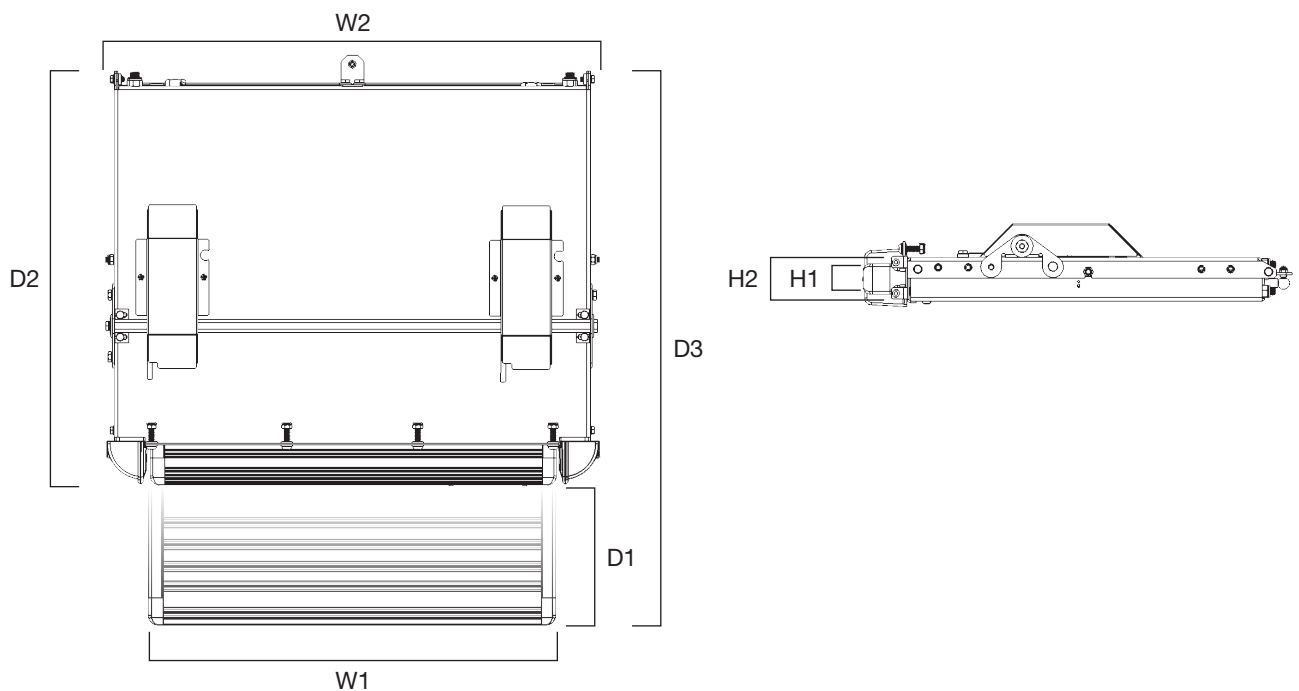
45mins  
Fitting Time

**The SLM series** – The perfect tool for low ground clearance vehicles.

The SLM is our manually pedal operated slim line step, featuring a thin cassette profile and unobtrusive design. Despite its thinner appearance, the SLM offers an excellent performance in terms of reliability and strength.

### Dimensions

Tread width	W1	600mm
Cassette width	W2	760mm
Tread Depth (Deployed)	D1	281mm
Cassette Depth (Stowed)	D2	600mm
Cassette Depth with Tread (Deployed)	D3	835mm
Tread height	H1	34mm
Cassette height	H2	70mm



### Weight and Safe Working Load

Weight	14.26kg
Safe working load	150kg

## Features



- **Slim Line Design** – The thin cassette profile offers a maximum ground clearance that meet taxi standards, while still offering a high strength Safe Working Load of 150kg.
- **Soft Deploy Gas Springs** – We understand the safety of passengers is top priority. Our design engineers have focused on a soft deployment of the step, by adding an oil reservoir at the end of the piston to slow down the last 40mm of the deploy.
- **Galvanised Steel Casing** – The SLM has a galvanised steel case with a weatherproof protection strip.
- **Bespoke Fitting Kits** – Thanks to specially designed fitting kits, the SLM is available for a wide range of vehicles.
- **Warning Buzzer** – The warning buzzer will sound when the pedal has been pressed, until the step has been fully deployed.
- **Pedal** – A side mounted pedal on the SLM operates the steps deployment, reducing the fitting time as no wiring is required.

## Testing

The SLM is rigorously internally tested to real life conditions, ensuring that the step can withstand its expected usage.

## Materials

Cassette	Galvanised Steel
Tread	Aluminium
Running Gear	Nylon and Stainless Steel

## Tools Required

1 x 10mm, 11mm, 13mm Spanner	1 x 7mm Drill bit
2 x Person	1 x Allen Key
1 x Drill	